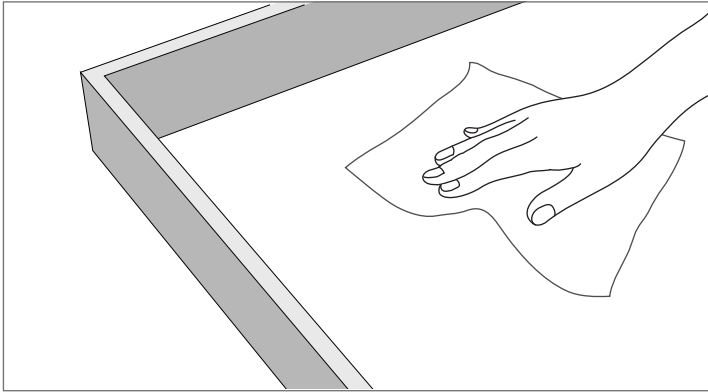


# INSTALLATION GUIDE

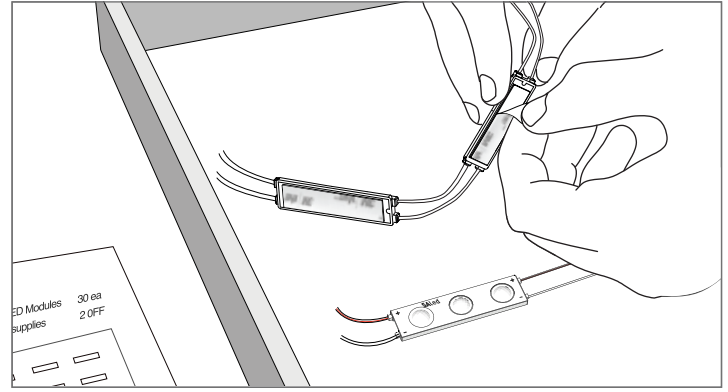
## M-NV Series

### WARNING

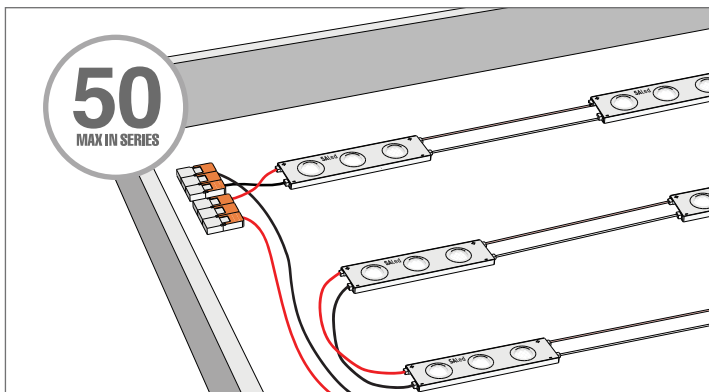
Electrical shock risk. Do not modify these products, as any alterations may void the warranty and compromise safety. Installation requires knowledge of electrical sign systems; if you are not qualified, please consult a certified electrician. Always disconnect the power supply before installing the product. Ensure the correct driver (12V or 24V) and adequate maximum wattage are used. Adhere to the specified guidelines for optimal results.



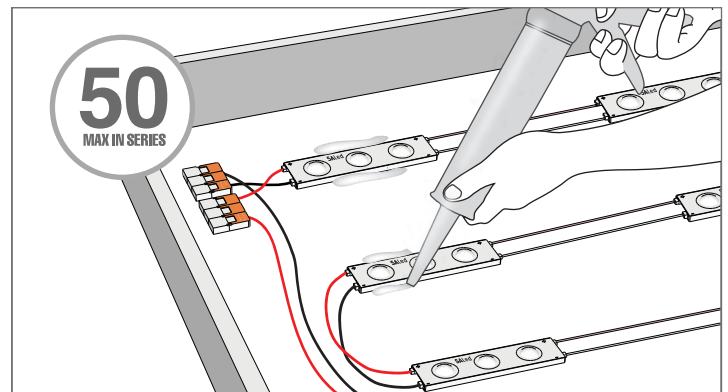
- 1** Clean the inside of your channel letter or lightbox, ensuring it is free from any debris or dirt.



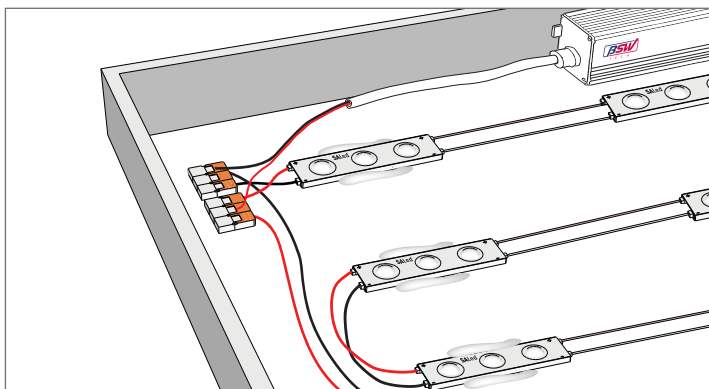
- 2** Remove the tape from the back of the LEDs and stick them in place according to the provided LED layout, including the appropriate module pitch (refer to Figure 1 on page 2).



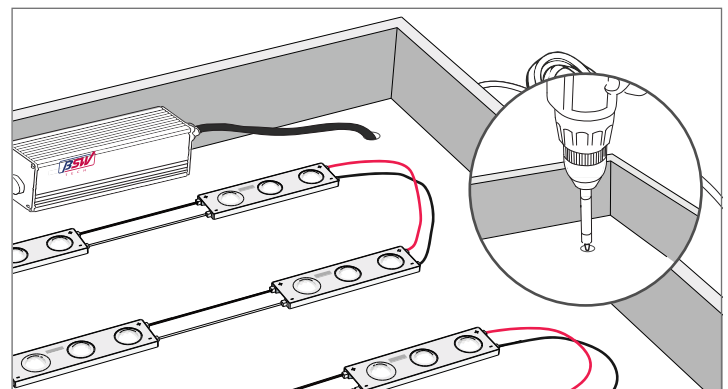
- 3** Ensure modules are connected in series or parallel (refer to Figure 2 on page 3). Avoid exceeding the maximum module count to prevent voltage drops.



- 4** WAGO connectors enable quick wiring of LEDs in series. Secure LEDs with silicone glue.



- 5** Wire both ends of LED modules to the power supply (refer to page 3). For multiple series, connect them in parallel to avoid voltage drop and ensure even brightness.



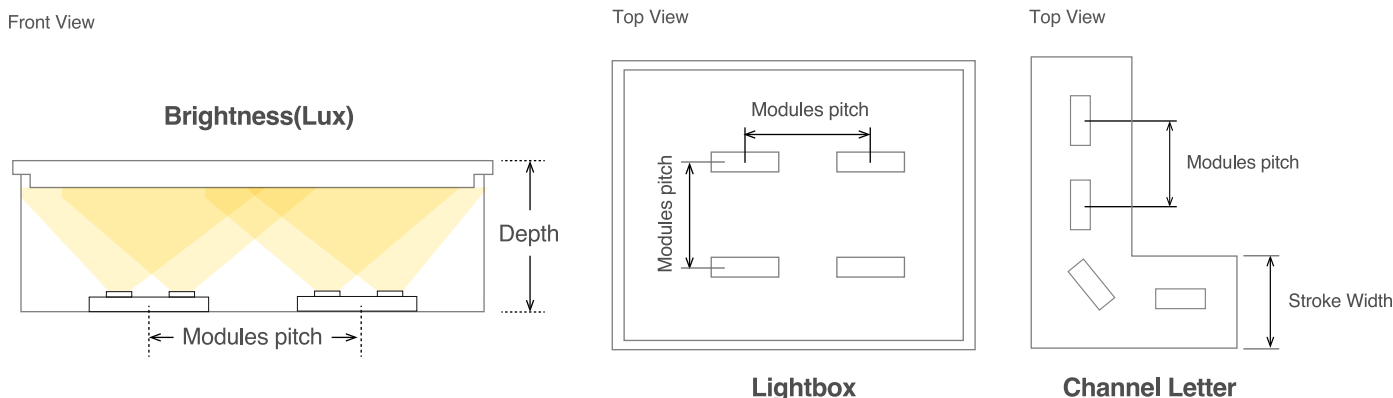
- 6** Drill holes along the edge of the channel letter or lightbox connect to the power supply

# INSTALLATION GUIDE

## M-NV Series

**Figure 1. LED Modules pitch guide.**

We recommend using channel letters or lightboxes with the following depths based on the LED module specifications.



Product	Application	Depth	Stroke	Module Pitch (*CTC)	Brightness (Lux)
M-NV 1 LED	Letter	From 50mm	≤25mm	90mm	-
M-NV 2 LED	Letter	50mm - 79mm	>25mm	50mm	-
		80mm - 99mm		120mm	2060 lm
		100mm or more		150mm	2060 lm
M-NV 3 LED	Letter	80mm - 99mm	26mm- 50mm	120mm	-
		100mm - 119mm	26mm- 50mm	150mm	-
		120mm or more	Any	180mm	-
	Lightbox	100mm - 119mm	-	180mm	2330 lm
		120mm - 149mm	-	200mm	2750 lm
		150mm or more	-	220mm	2750 lm
M-NV 4 LED	Lightbox	120mm - 149mm	-	220mm	2430 lm
		150mm or more	-	240mm	2430 lm

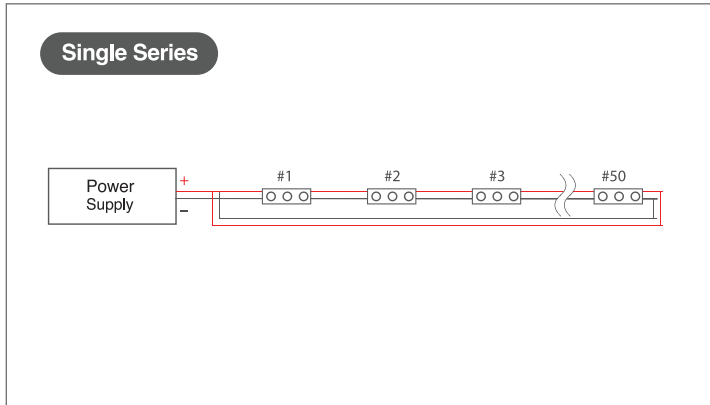
\*Center to Centre

# INSTALLATION GUIDE

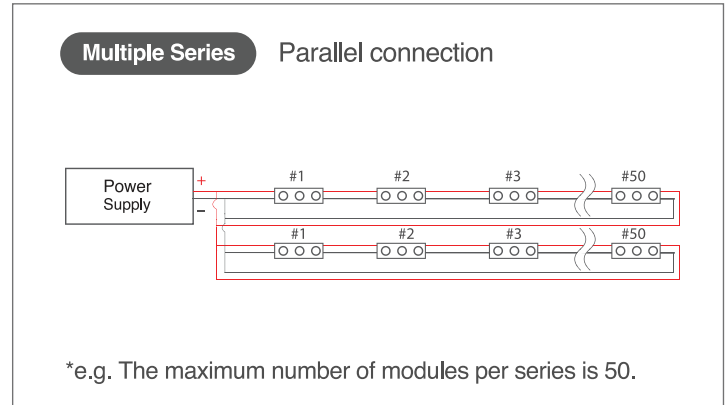
## M-NV Series

### Figure 2. Wiring Diagram

**Check Polarity :** All connections must be **RED-TO-RED (+)** and **BLACK-TO-BLACK(-)**. Reverse polarity connections may damage the LEDs and will void the product warranty.



Do not exceed the maximum number of LED modules per series (refer to each item's spec sheet for specific numbers). We recommend wiring both ends of LED modules to the power supply.



If you require **multiple modules**, they must be wired in parallel as a safe electrical operation mode. **Serial connection is not recommended**, as unbalanced voltage drops can lead to hazardous overload, potentially damaging the LED modules and causing uneven brightness